



Network Mini Dome Camera

IPC-HDBW4220E

IPC-HDBW4220E

Introducing the IPC-HDBW4220E, ADT's 2 megapixel, full HD, mini dome style camera. These quick, easy plug-n-play cameras require no additional power source when using NVRs with a built-in PoE switch. These cameras feature IP67 ingress protection and IK10 vandal resistance ratings.

Making high definition IP video surveillance more cost effective and affordable, the IPC-HDBW4220E cameras offer the perfect economical and flexible solution for small and medium-sized businesses.

Features

- 1/2.8" 2 Megapixel Progressive Scan CMOS
- H.264 and MJPEG Dual-stream Encoding
- 25/30 fps @ 1080p (1920x1080)
- DWDR, Day/Night (ICR), 3DNR, AWB, AGC, BLC
- ONVIF PSIA CGI Compatibility
- Max IR LED Length 98 feet (30m)
- 3.6mm Fixed Lens
- Power over Ethernet
- Corridor Mode Support
- IP67 Ingress Protection Rating
- IK10 Vandal Resistant
- Smart Detection: Tripwire, Intrusion, Scene Change, Face Detect
- Multi remote monitoring options: Web Browser, ADT VideoView (PC only), ADT VideoView mobile (iPhone, Android) and VideoView HD (iPad) free of charge



Ordering Information

Part Number	Description
IPC-HDBW4220E-ADT36	2.0 MP HD IR Network Dome Camera, 3.6mm Fixed Lens



Specifications

Camera	
Image Sensor	1/2.8" 2 Megapixel progressive scan CMOS
Effective Pixels	1920 (H) x 1080 (V)
Scanning System	Progressive Scan
Electronic Shutter	Auto/Manual 1/3(4) ~ 1/10000s
Min. Illumination	Color: 0.1 Lux/ F2.0; IR on: 0 Lux/F2.0
S/N Ratio	>50dB
Video Output	N/A
Camera Features	
Max IR LED Length	98 ft (30m)
Day/Night	Auto (ICR) / Color / B&W
Backlight Compens.	BLC / HLC / DWDR
White Balance	Auto/Manual
Exposure	Auto/Manual
Noise Reduction	3D
Privacy Masking	Up to 4 Areas
Lens	
Focal Length	3.6mm
Max. Aperture	F2.0 (F2.0/F2.0)
Focus Control	Manual
Angle of View	H: 84° / 106° / 56°
Lens Type	Fixed Lens
Mount Type	Board-in Type
Video	
Video Compression	H.264/H.264H/H.264B/MJPEG
Resolution	1080 (1920x1080) / 720p (1280x720) / D1 (704x576/704x480) / CIF (352x288/352x240)
Frame Rate	Main Stream: 1080p / 720p (1 ~ 25/ 30fps); Sub Stream: D1/CIF (1 ~ 25/30fps) Third Stream: 720p (1-13/4fps)
Bit Rate	H.264: 32Kbps ~10Mbps
Corridor Mode	Support
Audio	
Compression	N/A
Interface	N/A
Smart Detection	
Smart Detection	Tripwire
	Intrusion
	Scene change
	Face detect

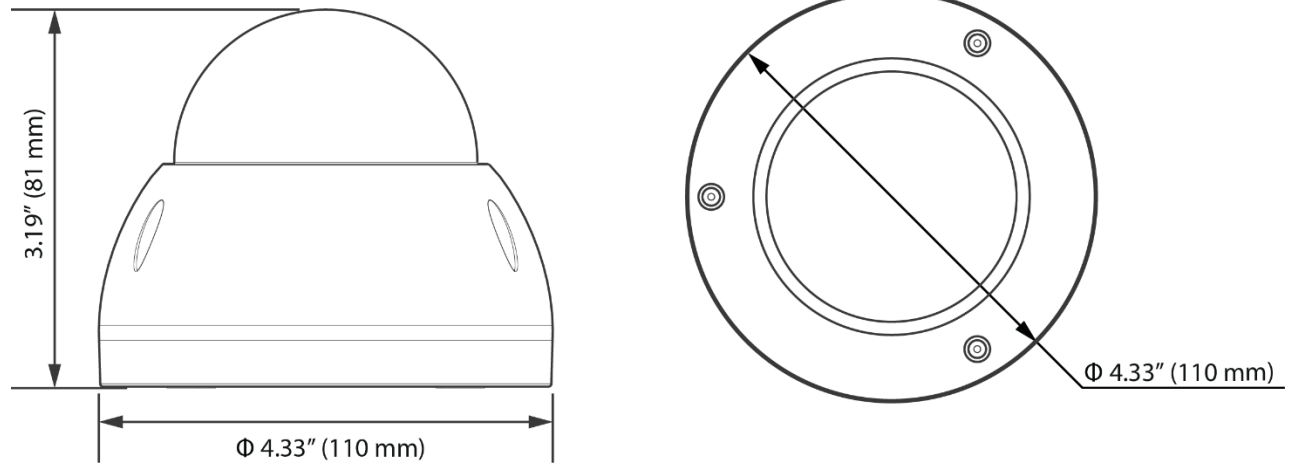


Network Mini Dome Camera

IPC-HDBW4220E

Network	
Ethernet	RJ-45 (10/100Base-T)
Protocols	IPv4/IPv6, HTTP, HTTPS, SSL, TCP/IP, UDP, UPnP, ICMP, IGMP, RTSP, RTP, SMTP, SNMP, NTP, DHCP, DNS, PPPOE, DDNS, FTP, IP Filter, QoS, Bonjour
Compatibility	ONVIF PSIA CGI
Max. User Access	20 users
Smartphones/Tablets	iOS, Android
General	
Dimensions	Ø 4.33 x 3.19 in (110 x 81 mm)
Weight	0.73 lb (0.33 kg)
Power Supply	12VDC, PoE (802.3af)
Power Consumption	< 4W
Environment	Temp. -40°F ~140°F (-40°C ~+60°C); Relative Humidity: 10% ~ 90%
Protection	IP67 Ingress, IK10 Vandal Resistance

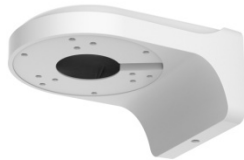
Dimensions



Mounting Accessories



PFA131



PFB200W



PFA123